

contact tachometers

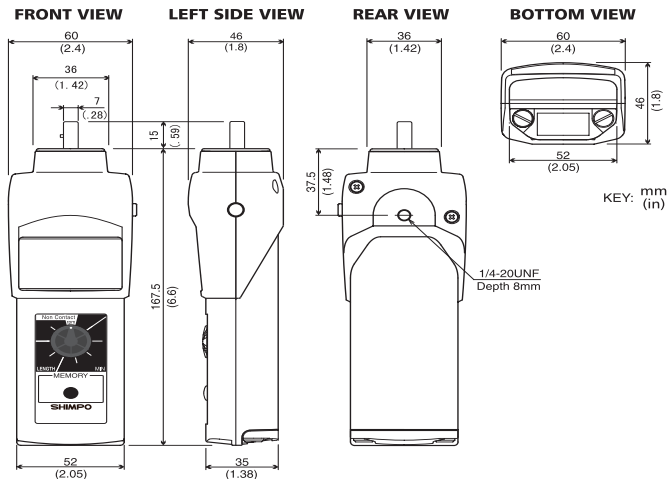
DT-105A (LCD)

DT-107A (LED)

The World's Finest Tachometers Are Now Even Better

Shimpo's microprocessor technology has heralded a superior standard in tachometer accuracy and capabilities for measuring and recording rotational/linear/surface speeds and total length.

Offering unprecedented confidence, the DT-105A and DT-107A battery-operated tachometers still feature the same rugged, high quality components that have made them the benchmark in the industry. These user-friendly, value-packed units feature expanded memory storage, added length functions, free N.I.S.T. certificate and many standard accessories. Available with LED or LCD displays.



Specifications

MODEL	DT-105A / DT-107A
MEASURING RANGE	0.10 - 25,000 rpm with floating decimal
ACCURACY	±0.06 rpm: 0.10 - 999.9 rpm / ±0.6 rpm: 1,000.0 - 9,999.9 rpm / ±0.006 % of reading ±1 digit (or 2 rpm max.): 10,000 - 25,000 rpm
DISPLAY	5 digit 0.47" (12 mm) high LCD 5 digit 0.4" (10 mm) high LED
MEASURING UNITS	Revolutions: rph, rpm Feet: fph, fpm Miles: mph Inches: ipm Meters: mPH, mPM Length: m, cm, inches, feet, yards Total Revolutions: rev
MEMORY	13 readings stored in memory & retained for 5 minutes (last, max., min. & 10 extra measurements)
DISPLAY UPDATE TIME	1 second (typical)
DETECTION	Optical coupler, 60 pulses / rev.
SYSTEM CONTROL	Single-chip C-MOS microprocessor
OVER RANGE INDICATOR	Flashing numerals
VOLTAGE REQUIREMENT	2 AA 1.5 V batteries
LOW BATTERY INDICATOR	Flashing "LO BAT" display / "B" display (DT-107A)
AUTO POWER SHUT-OFF	Yes
BATTERY LIFE	45-60 hrs approx. / 25 hrs approx. (DT-107A)
OPERATING TEMP. RANGE	32° - 113° F (0 - 45° C)
OPERATING ENVIRONMENT	Non corrosive
DECIMAL POINT	Floating
CONSTRUCTION	Die-cast aluminum housing
WEIGHT	0.9 lb (400 g)
DIMENSIONS	7.2" L x 2.4" W x 1.8" H (182.5 mm x 60 mm x 46 mm)
WARRANTY	1 year
STANDARD ACCESSORIES	2 cone adapters, funnel adapter, 3-1/2" extension shaft, NIST certificate, carrying case, master wheel (6" cir.)
OPTIONAL ACCESSORIES	Wire / yarn fixture, 6" grooved wheel, 12" grooved and flat wheels, WY-100, FPM-12, FPM-12CBL

Features

- 1/4 x 20 mounting hole
- Multi-mode speed selection
- Outstanding accuracy (±0.006% of reading)
- Rugged aluminum construction
- Direct length measurement
- Extensive speed range (0.10 - 25,000 RPM)
- Large 5 digit display
- Lengthy battery life (up to 60 hours)
- Large 10 test memory capacity, plus LAST, MAX and MIN
- Total revolution display
- Free N.I.S.T. certificate
- CE mark
- Overspeed indicator
- Length/ sec available

Also Available



WIRE / YARN TEST FIXTURE

Optional fixture WY-100 is attached to the DT-105A / 107A tachometers for rate and length measurement. (Used with FPM-6-GV 6" cir. grooved wheel)

DISTRIBUTED BY

commtest
Southern Africa

419 Vine Avenue, Ferndale, Johannesburg
P.O. Box 1669, Ferndale, South Africa, 2160
Tel: +27 11 886 7993, web: www.commtest.co.za
Fax: +27 11 507 5823, email: info@commtest.co.za