

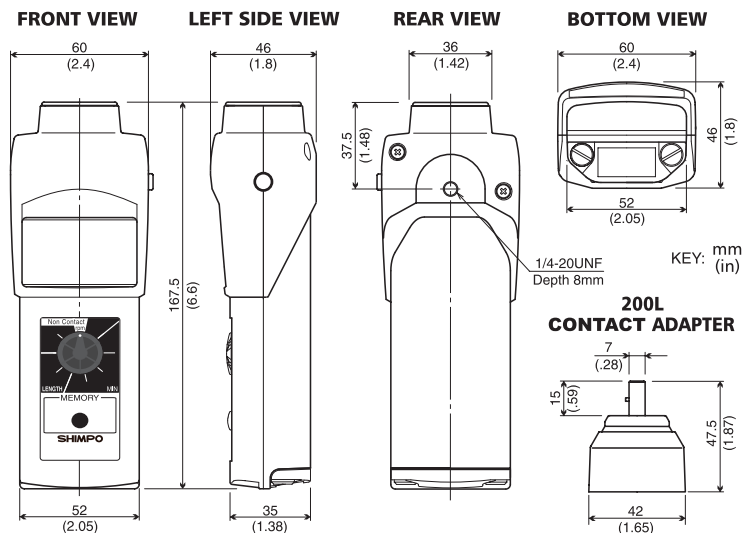
contact / non-contact laser tachometers

DT-205L-S12 (LCD)

DT-207L-S12 (LED)

Capture fast speeds with laser precision

Incorporating the precise laser technology and user-friendly functions as our DT-205L/207L tachometers, the DT-205L-S12 and DT-207L-S12 provide exceptional accuracy in measuring speed and length via 12" wheel; the larger wheel rotates more slowly than a standard 6" wheel, enabling reliable and safe registration of high speeds. These superior instruments also feature a contact adapter, conveniently allowing both non-contact and contact measurement.



DT-207L
Shown with
Red LED Display



Specifications

MODEL	DT-205L-S12 / DT-207L-S12
MEASURING RANGE	6 - 99,999 rpm
ACCURACY	±1 rpm: 6 - 8,300 rpm / ±2 rpm: 8,301 - 25,000 rpm / ±0.006 % of reading ±1 digit (or 2 rpm max.): 25,001 - 99,999 rpm
DISPLAY	5 digit 0.47" (12 mm) high LCD / 5 digit 0.4" (10 mm) high LED
MEASURING UNITS	rpm (on contact using adapter, included) For rate: ypm, mPM, fpm, ipm & length: yd, m, ft, in use 6" cir. wheel w/ 200L adapter
MEMORY	13 readings are stored in memory & retained for 5 minutes (last, max., min. and 10 extra measurements)
DISPLAY UPDATE TIME	1 second (typical)
DETECTION	Laser diode
SYSTEM CONTROL	Single-chip C-MOS microprocessor
OVER RANGE INDICATOR	Flashing numerals
VOLTAGE REQUIREMENT	2 AA 1.5 V batteries
LOW BATTERY INDICATOR	Flashing "LO BAT" display / "B" display (DT-207L-S12)
AUTO POWER SHUT-OFF	Yes
BATTERY LIFE	40-60 hrs approx. / 25 hrs approx. (DT-207L)
OPERATING TEMP. RANGE	32° - 113° F (0 - 45° C)
OPERATING ENVIRONMENT	Non corrosive
CONSTRUCTION	Die-cast aluminum housing
WEIGHT	0.8 lb (365 g)
DIMENSIONS	6.6" L x 2.4" W x 1.8" H (167.5 mm x 60 mm x 46 mm)
WARRANTY	1 year
STANDARD ACCESSORIES	Reflective tape, 2 cone adapters, funnel adapter, 3½" extension shaft, carrying case, NIST certificate, master wheel (12" cir.) & 200L adapter

Features

- 1/4 x 20 mounting hole
- Sophisticated laser beam detection; up to 14'
- Exceptional accuracy
- Length and rate functions
- Multi-mode speed selection
- Hardy aluminum construction
- Large 5 digit display
- Expansive 10 test memory capacity
- Extended battery life
- Free N.I.S.T. certificate
- CE mark



DT-207L-S12 shown in carrying case.

DISTRIBUTED BY

commtest
Southern Africa

419 Vine Avenue, Ferndale, Johannesburg
P.O. Box 1669, Ferndale, South Africa, 2160
Tel: +27 11 886 7993, web: www.commtest.co.za
Fax: +27 11 507 5823, email: info@commtest.co.za