

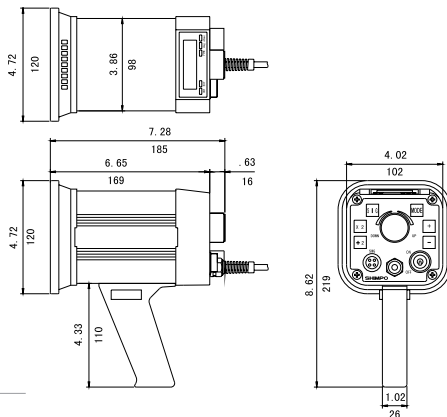
DT-311A

Exceptional ruggedness and reliability

Shimpo's dual function stroboscopes provide the illusion of "stopped motion": by adjusting the strobe's flash rate, equipment and printing appear to be standing still or in slow motion. Our strobes also measure rotational (RPM) or reciprocating (strokes per minute) speeds with the same precision as an electronic digital tachometer.

Ideally suited for printing inspection, motion analysis, preventive maintenance and speed measurement of repetitive motion, our strobes provide timely data on vibrating parts, leaks, spray patterns and a variety of industrial and scientific operations.

Don't be fooled... while the DT-311A stroboscope is extremely easy to operate via its lightweight and compact design, its rugged metal construction provides unequalled reliability in the harshest environments.



Specifications

| | |
|--------------------------------------|--|
| MODEL | DT-311A |
| FLASHING RANGE | 40.0 - 35,000 fpm (flashes per minute) |
| ACCURACY | ±0.01 % of reading |
| RESOLUTION | 0.1 fpm: 40.0 - 5,000 fpm / 0.2 fpm: 5,001 - 8,000 fpm / 0.5 fpm: 8,001 - 10,000 fpm / 1 fpm: 10,001 - 35,000 fpm |
| PHASE SHIFT | Use +/- push buttons (360° in 6 seconds) |
| DISPLAY UPDATE TIME | 0.2 seconds approx. |
| OUTPUT SIGNAL | Synchronous, 400 µsec. Pulse output, 0 to +12 VDC amplitude (approx.), 4.7 KΩ impedance |
| RATE MULTIPLIER/DIVIDER | Multiply by 2, divide by 2 |
| FLASHING RANGE | 0.0 to 35,000 fpm |
| EXTERNAL MODE ACCURACY | ±0.01 % ±1 digit |
| PHASE SHIFT | 0 to 359° with 1° resolution |
| DELAY TIME | 0 to 2,000 msec from 40 - 10,000 fpm |
| EXTERNAL TRIGGER INPUT SIGNAL | LO level: 0 - 0.8 VDC, HI level: 2.5 - 12 VDC or open collector (NPN), pulse width 50 µsec min |
| INPUT IMPEDANCE | 4.7 KΩ to 12 V / 6.8 KΩ to 0 V |
| DISPLAY | 5 digits, 0.4" (10 mm) high, LED |
| FLASH TUBE POWER/LIFE | Xenon, 10 W max. (100 million flashes) |
| FLASH DURATION | 10 - 40 µsec |
| SENSOR POWER SUPPLY | 12 VDC (40 mA) |
| LOW BATTERY INDICATOR | N/A |
| POWER REQUIREMENT | 115 VAC or 220 VAC ±10 % 60/50 Hz, 30 VA (specify voltage) |
| OPERATING TEMPERATURE | 32° - 104°F (0 - 40°C) |
| WEIGHT | 2.6 lb (1.2 kg) |
| DIMENSIONS | 7.28" L x 4.72" W x 4.72" H (185 mm x 120 mm x 120 mm) |
| WARRANTY | 1 year |
| OPTIONAL ACCESSORIES | Carrying case, sensors, SG-300 strobe guard, SAS-DT300 flexible swing arm, daisy chain cables, NIST traceable certificate |

Features

- Extruded aluminum construction
- Highly accurate (± 0.01% of reading)
- Phase shift (timing, advance or delay in degrees or mSec)
- High flash rate (up to 35,000 FPM)
- Microprocessor-controlled
- External trigger
- Synchronous output
- Flash timer control
- Continuous duty cycle
- Highly polished focused reflector
- Manual flash controller knob
- 1/4 x 20 mounting hole

Also Available



SG-300, Strobe Guard, Flex Arm SAS-DT-300, Flash Tubes and Sensors, shown in typical print inspection/ registration application.

DISTRIBUTED BY

commtest
Southern Africa

419 Vine Avenue, Ferndale, Johannesburg
P.O. Box 1669, Ferndale, South Africa, 2160
Tel: +27 11 886 7993, web: www.commtest.co.za
Fax: +27 11 507 5823, email: info@commtest.co.za